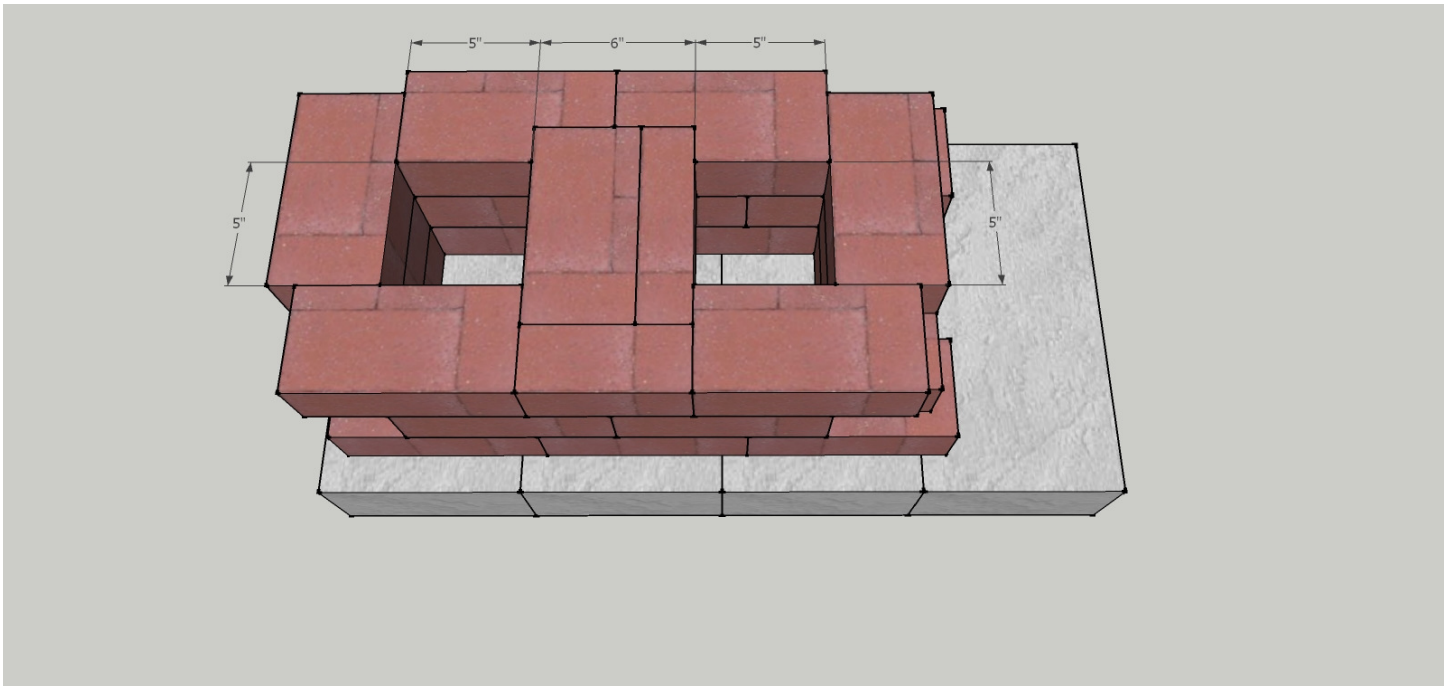
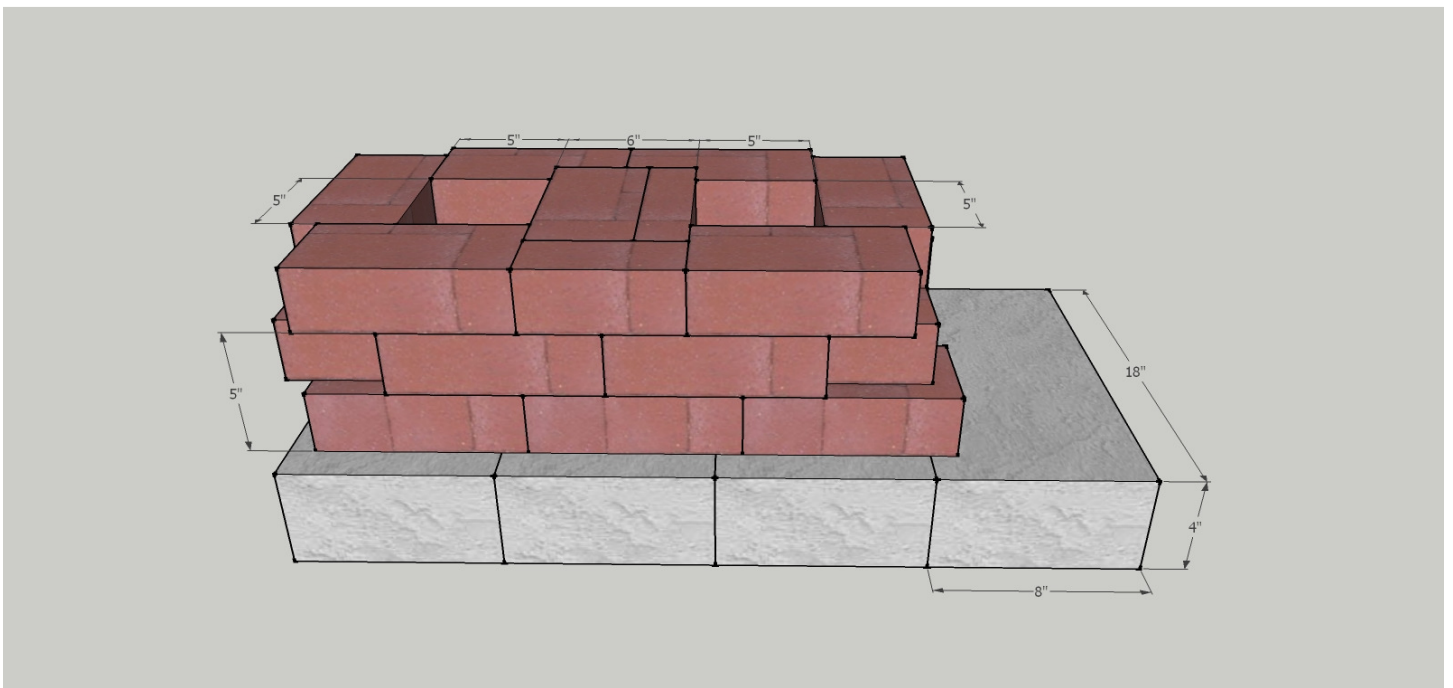


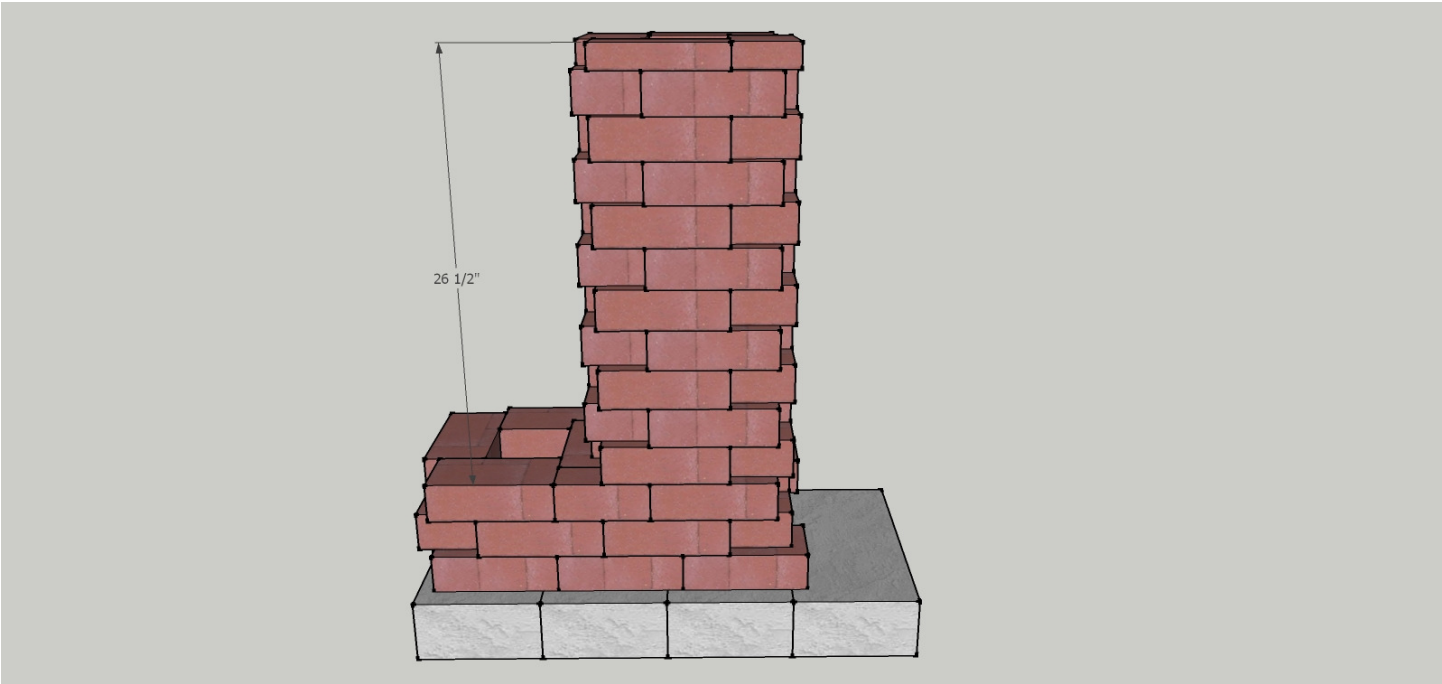
Actual dimensions of feed, tunnel, and riser



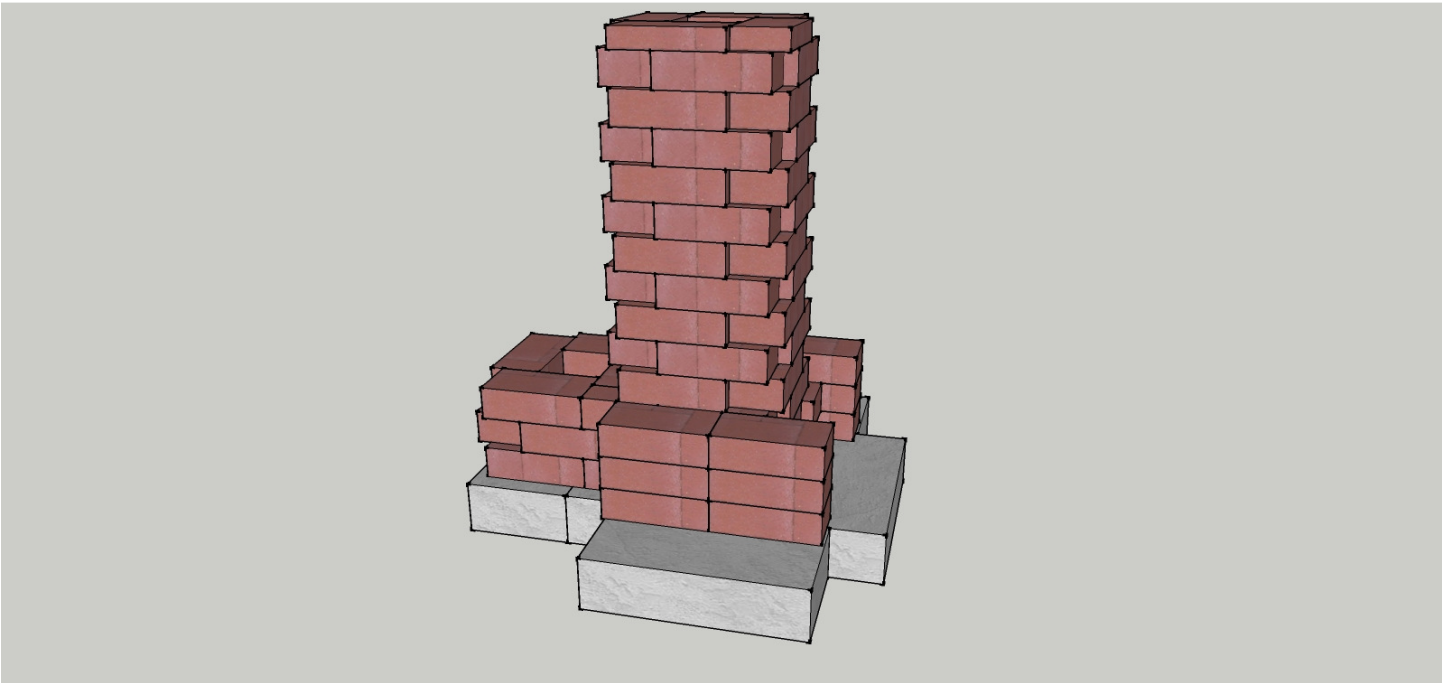
Other dimensions. Burn tunnel is 5"x5"x6" long.



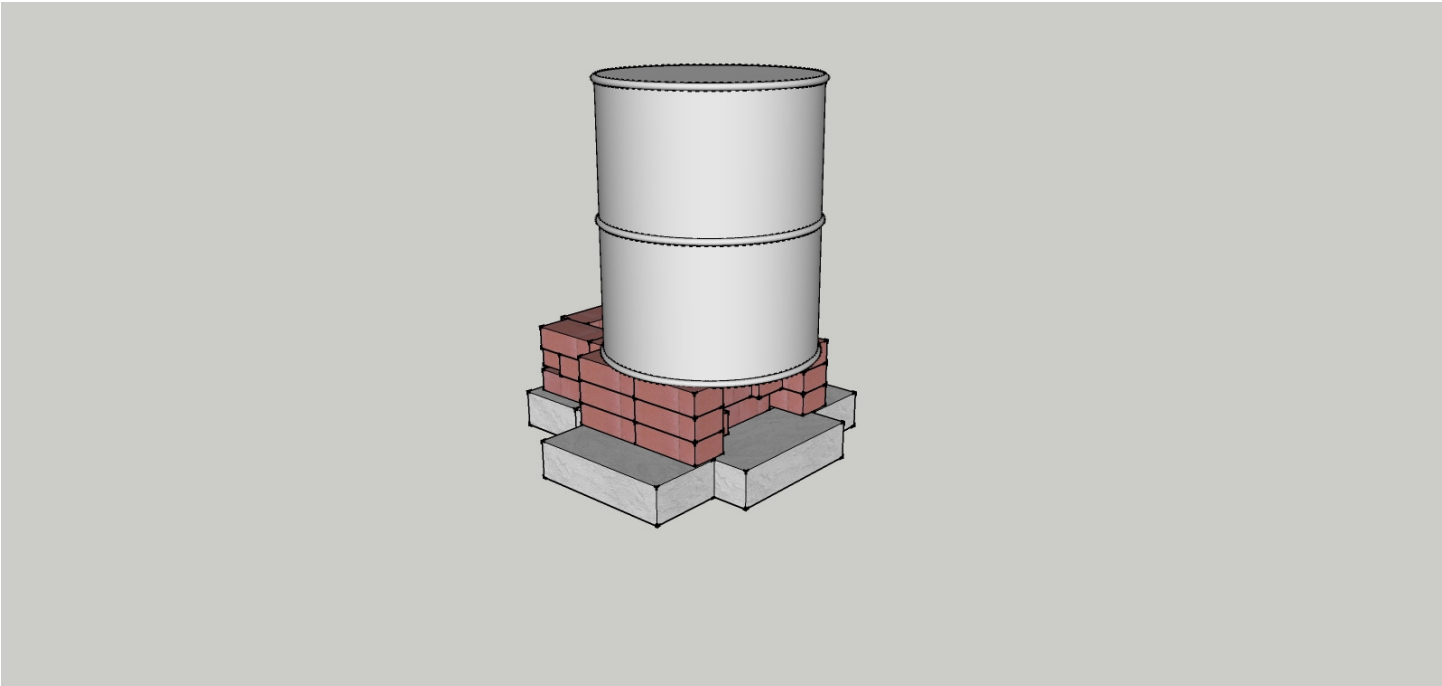
Chimney is internal dimensions of 5"x5". 26 1/2" tall (above burn tunnel)



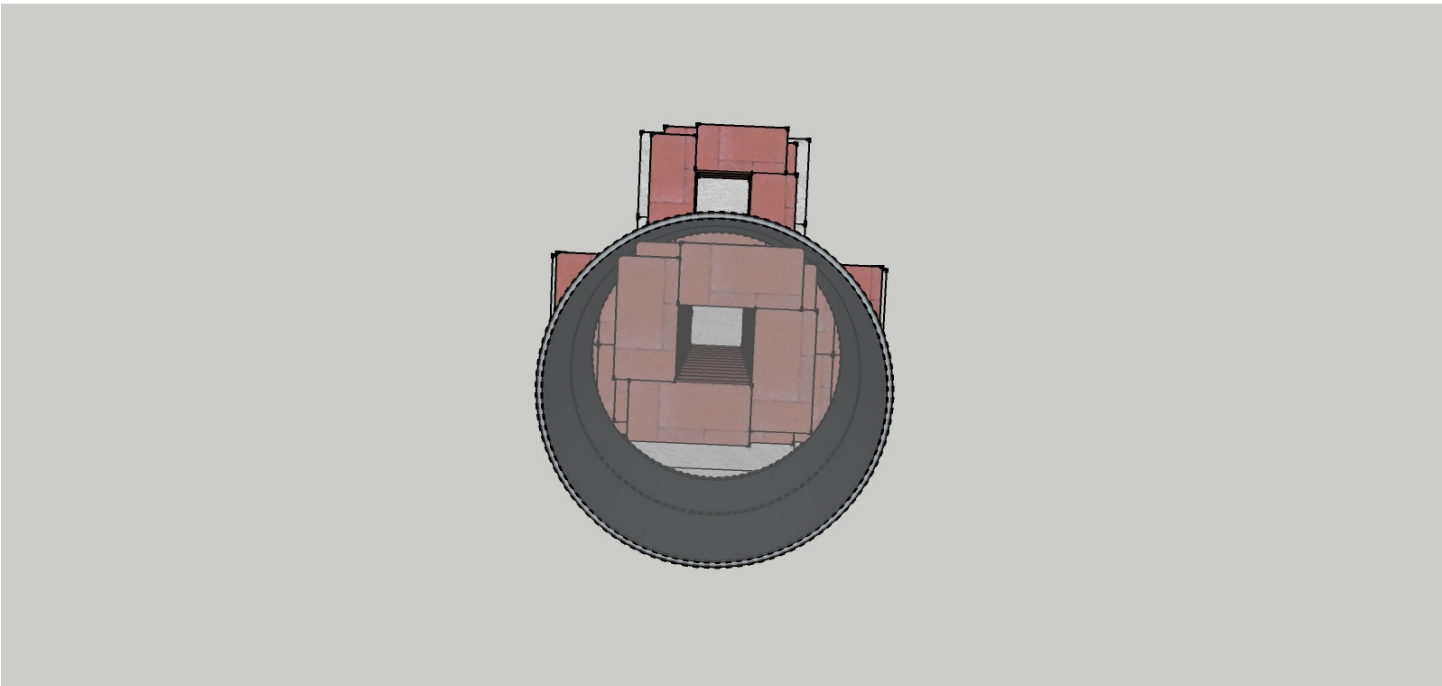
Bricks added to the sides to hold barrel.



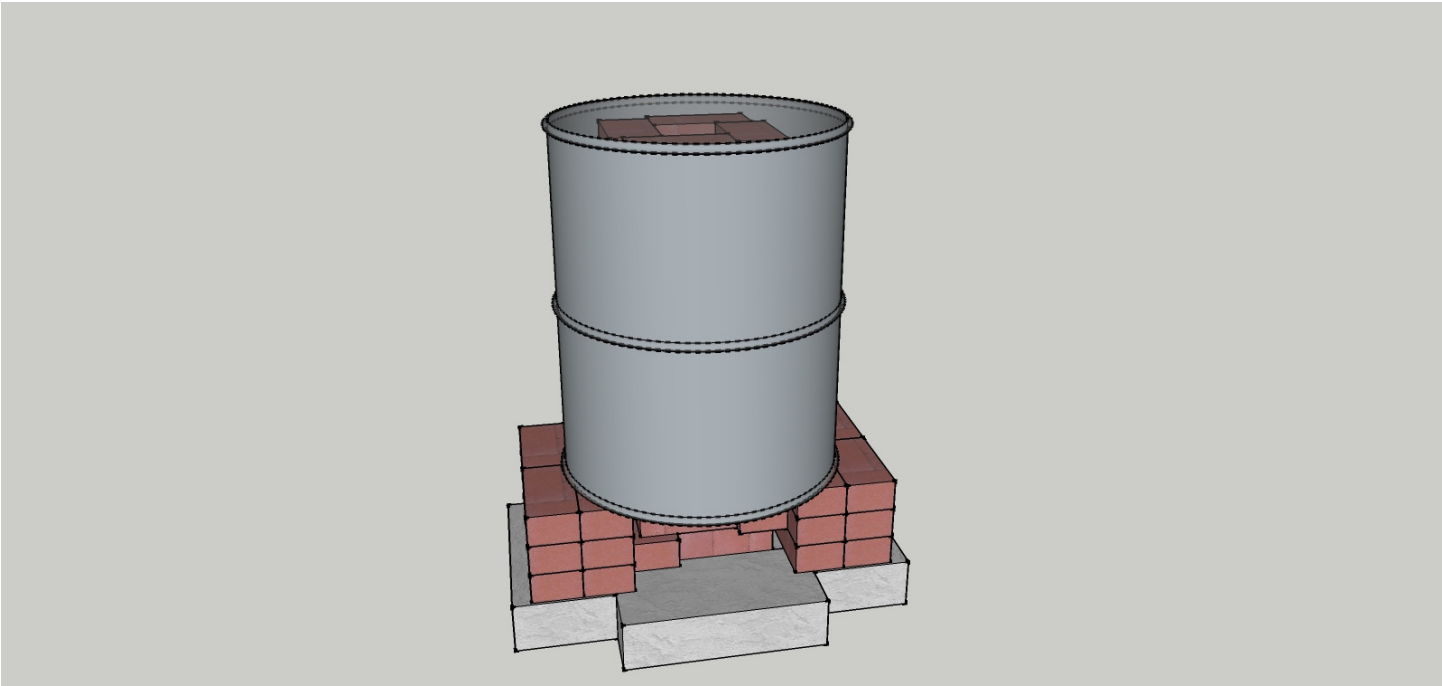
Barrel in place over chimney.



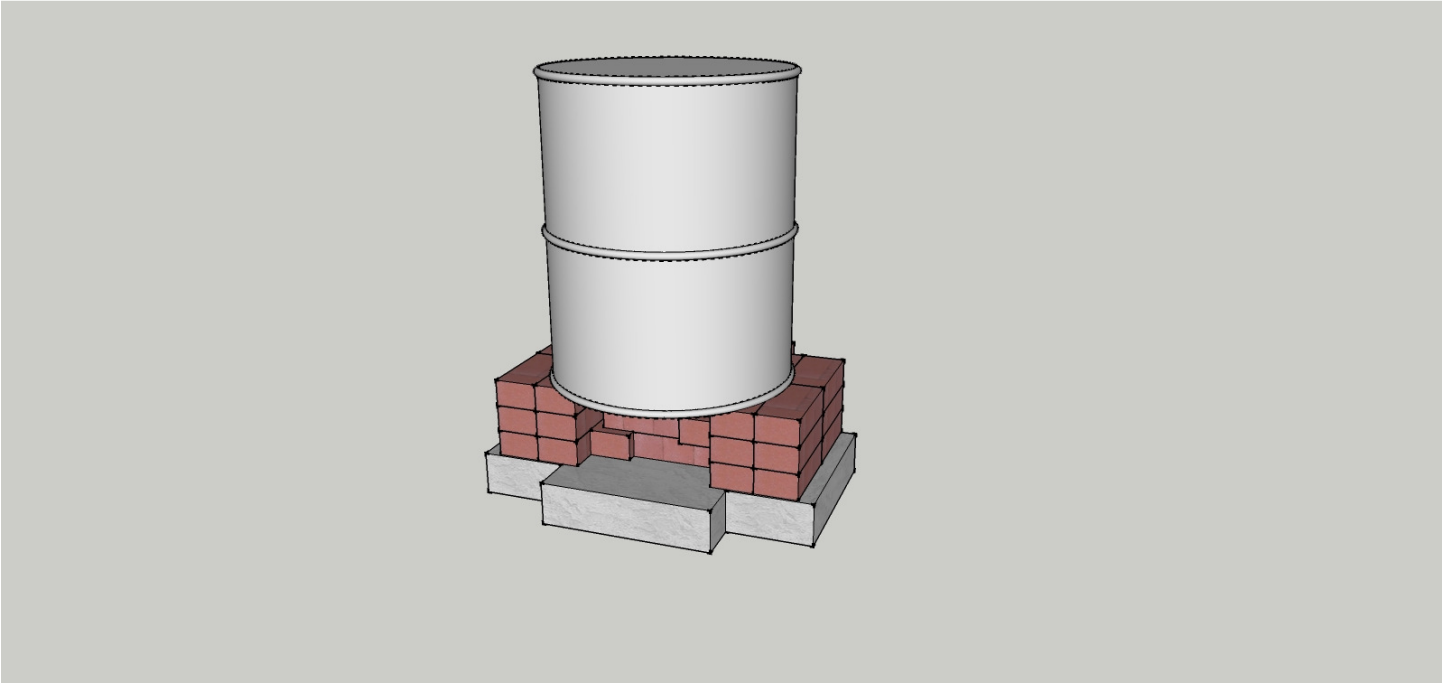
Cut away view of barrel placement. Barrel is 22" diameter, 28" tall



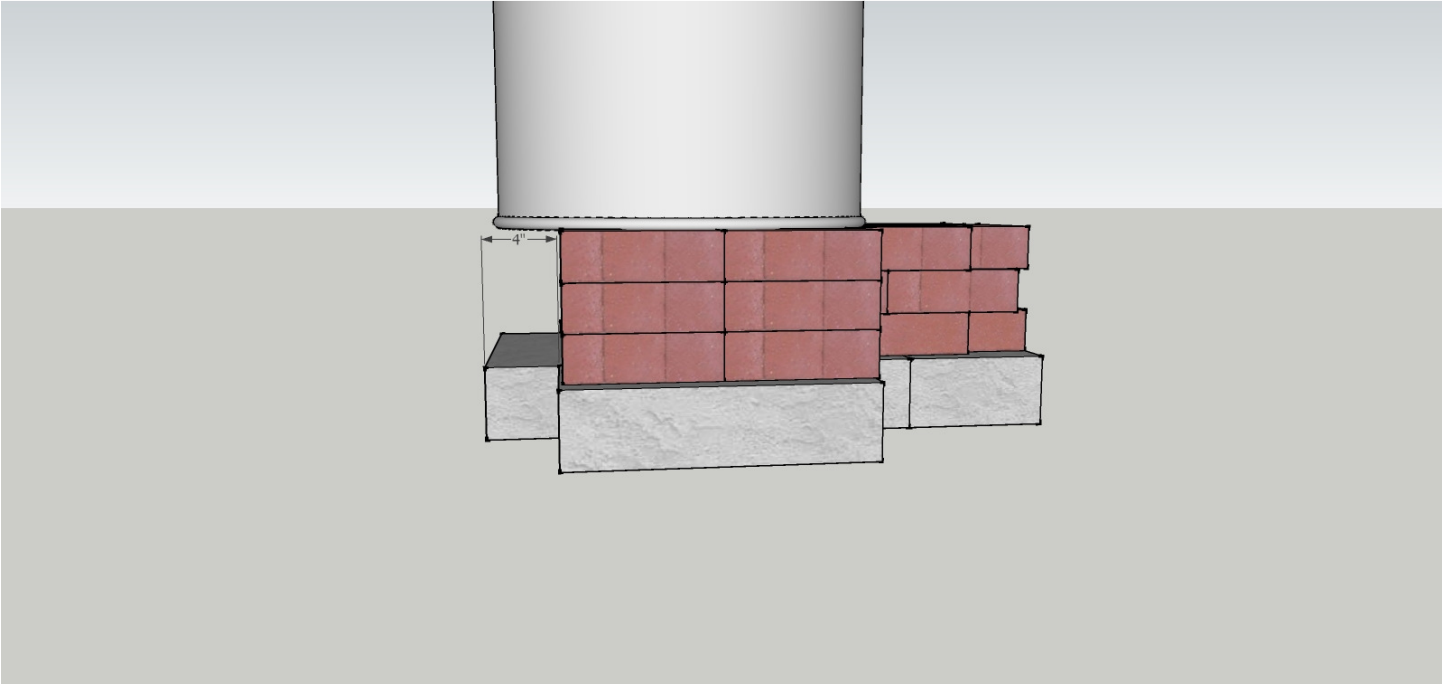
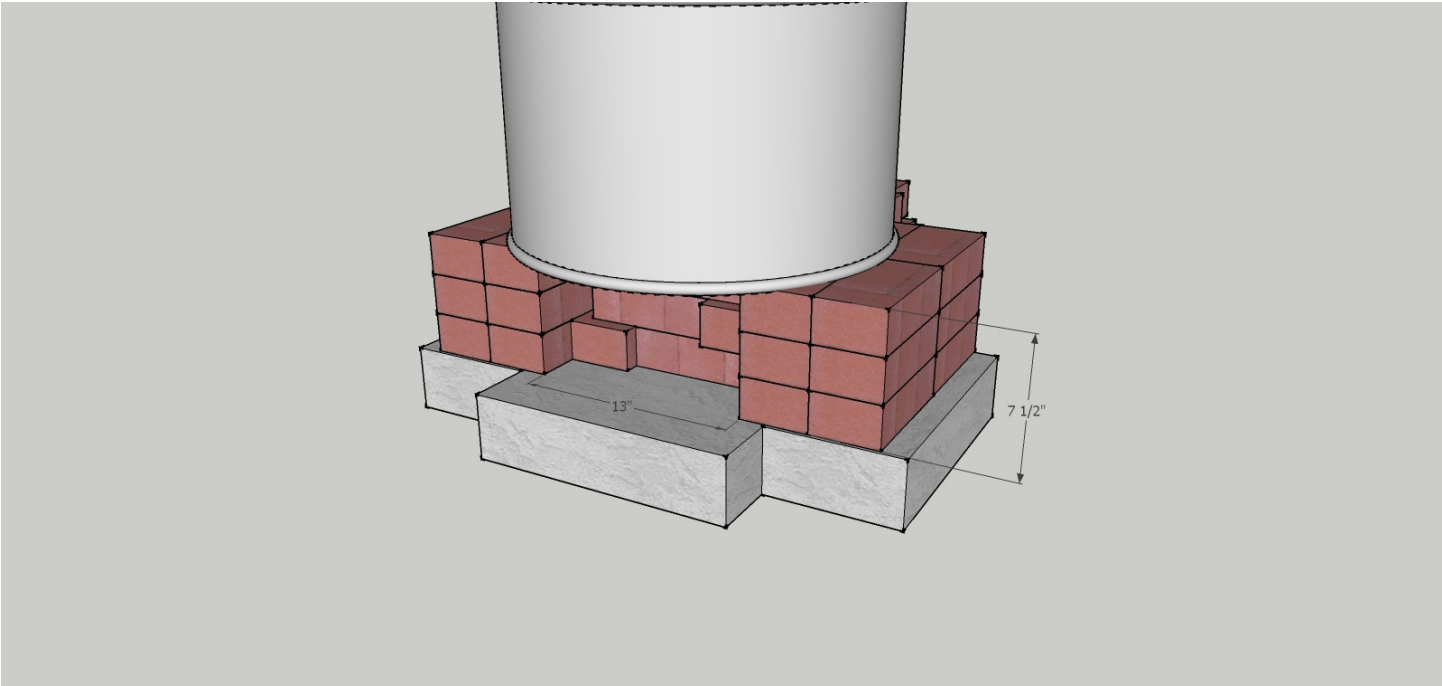
Top of Chimney is 1 1/2" below top of barrel



Export at the bottom of barrel



Some basic dimensions of export.



Edge of barrel is 7 1/2" from edge of chimney.

